



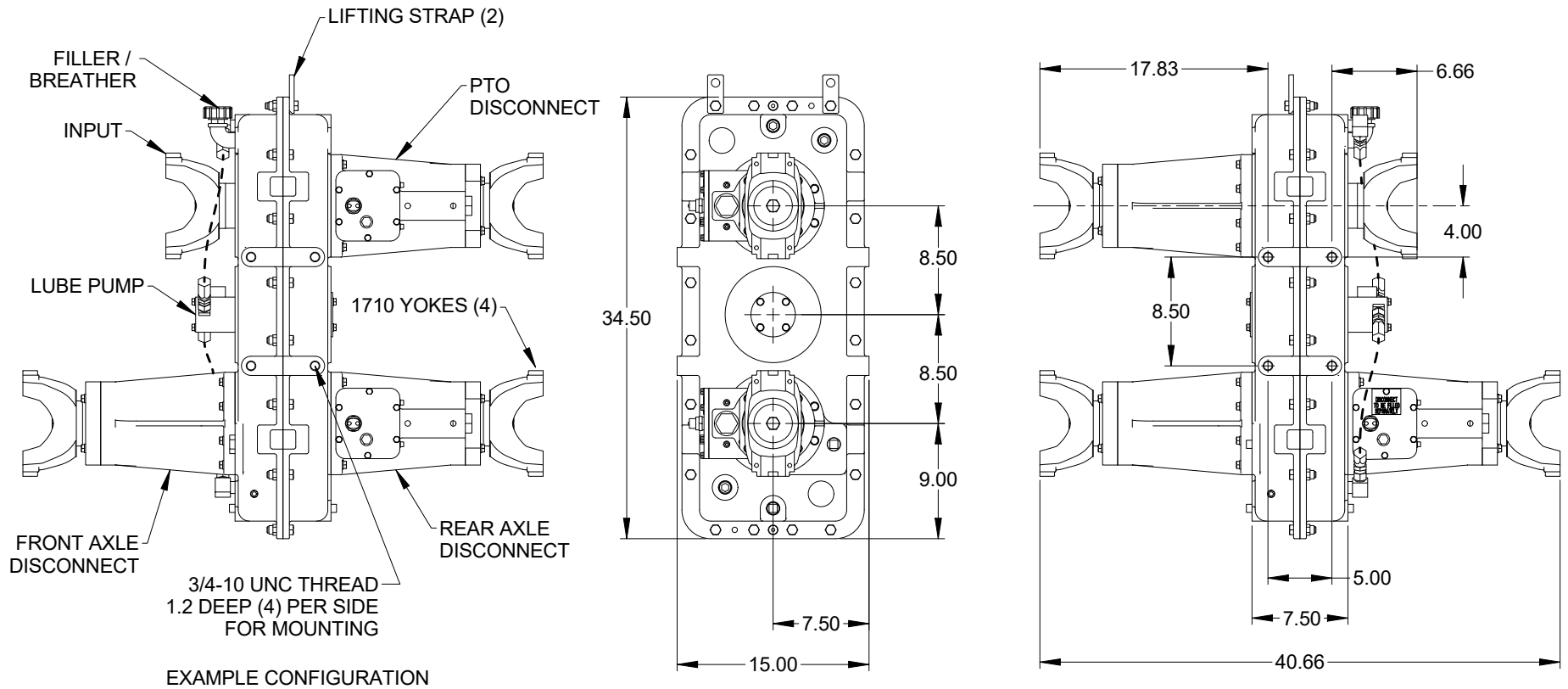
# MODEL TR2205 TRANSFER CASE

## Product Description:

The TR2205 is a 3 shaft transfer case is designed for maximum application flexibility. The T-case has mirror symmetry and provides four identical Input/output stations. Each station has a 2.75 X 10 splined shaft and can be fitted with yokes or flanges. A disconnect (de-clutch) can be fitted to the I/O stations to provide power interruption. An optional line of disconnects feature SAE pump pad outputs. A special version of TR2205 can be mounted horizontally. Depending upon option type and placement the TR2205 can be configured as a transfer case, drop box, PTO, or pump drive. Most options are available for field retrofit without having to return, remove, or disassemble the gearbox.

<b>NOMINAL APPLICATION POWER:</b>	600 HP
<b>TORQUE CAPACITY:</b>	2200 lb-ft. continuous through gears 6800 lb-ft. continuous through shaft 17000 lb-ft. momentary through shaft
<b>MAX SPEED:</b>	2800 RPM
<b>RATIO:</b>	1:1 input to output
<b>CENTER DISTANCE:</b>	17 inches input to output
<b>ROTATION:</b>	Outputs rotate same direction as input
<b>LUBRICATION:</b>	Internal reservoir. Lube pump furnished.
<b>SHIFTING:</b>	Disconnects are air shift. Mechanical shift option available
<b>OUTPUT SHAFT SIZE:</b>	2.75-10 straight side spline
<b>COMMON OPTIONS:</b>	SAE and ISO yokes and flanges, disconnects, pump pads, clutches, stub shaft
<b>WEIGHT:</b>	Approximately 600 lbs. w/o options

This drawing shows general arrangement and approximate space claim. Do not design, scale, or lay out using this drawing. Use only certified drawings provided by Cotta Engineering.



**TR2205 DRW.**