

HYDRAULIC POWER TAKE-OFF

HP500

The HP500 is an oil-filled, multiple disc, hydraulically-actuated self-adjusting clutch. The HP500 has been developed with a number of unique features that offer reliability, productivity and power. The HP500 has been designed for a wide range of heavy-duty applications including crushers, grinders, mulchers, dredgers, heavy-duty drills and many others.

FEATURES & BENEFITS:

- Hydraulically actuated and self-adjusting wet clutch
- Suitable for in-line and side-load applications
- Advanced control system for smooth engagement
- Remote actuation via J1939 or switch input
- No pilot bearing
- High side load capability
- Maximum power rating 500 HP @ 1800 rpm
- Optional single tower (2-pads) or two tower (4-pads) auxiliary drive
 - 400 HP maximum capacity per tower
 - 450 HP maximum capacity for both towers
- Available pump pads:
 - SAE "A" • SAE "B" • SAE "C" • SAE "D" • SAE "E"
- Pump tower rotatable by 0°/45°/90° CW/CCW
- 1:1 standard with optional 0.83:1 & 0.77:1 speed increase on pump tower
- SAE #1, SAE #2 & SAE #3 input housing
- SAE 355 (14"), SAE 290 (11.5") & SAE 255 (10") input coupling



SPECIFICATIONS - HP500

Model Number	Maximum Power Rating			Maximum Speed (RPM)	Pump Tower Capacity		Weight	
	@ 1200 RPM	@ 1800 RPM	@ 2200 RPM		1 Tower (2 Pads)	2 Tower (4 Pads)	kg (lbs)	
HP500	333 HP (248 kW)	500 HP (373 kW)	611 HP (456 kW)	2300	400 HP (298 kW)	450 HP (336 kW)	HP500D	536 kg (1181 lbs)*
							HP500S	434 kg (956 lbs)*

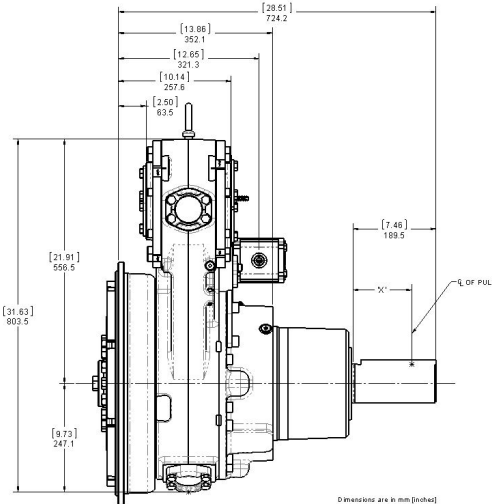
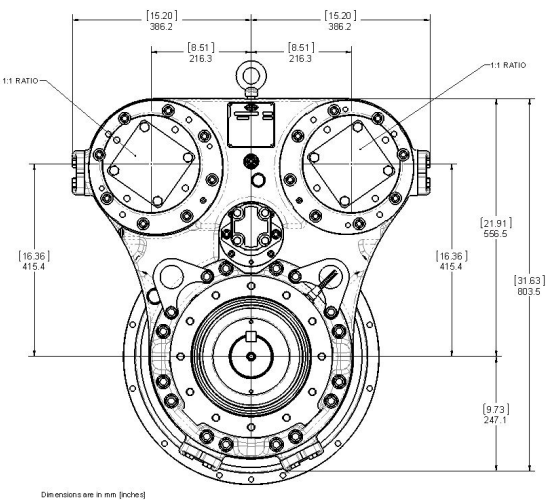
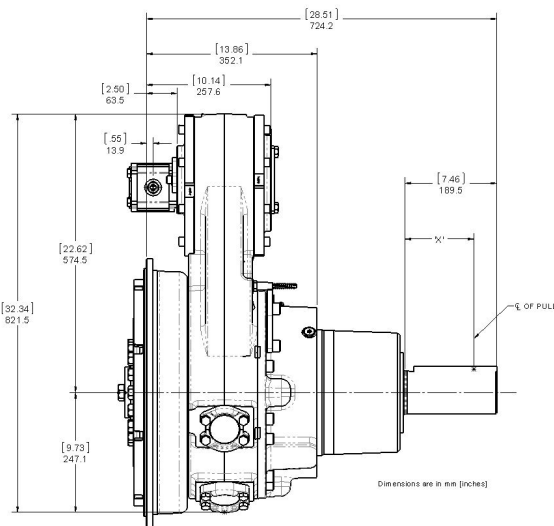
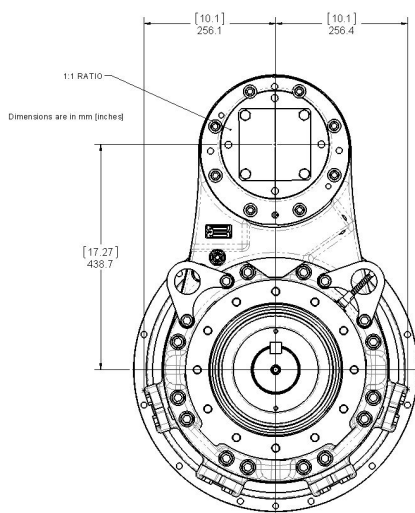
*Varies with configuration



Specifications subject to change without prior notice in the interest of continual product improvement. Contact your local Twin Disc representative for engineering specifications, Survey Society Approvals and Classifications.

Scan QR code to see Twin Disc's entire land-based product line.





HP500P SIDE LOAD CAPACITY VALUES

RPM	mm	-50.8	-25.4	0	25.4	50.8	76.2	101.6	127	152.4
	inches	-2	-1	0	1	2	3	4	5	6
1200	Lbf.	12,795	11,085	9,789	8,758	7,927	7,238	6,607	5,956	5,423
	N	56,915	49,309	43,545	38,956	35,263	32,197	29,391	26,496	24,123
1800	Lbf.	11,330	9,816	8,668	7,755	7,020	6,409	5,851	5,274	4,802
	N	50,397	43,662	38,558	34,494	31,224	28,509	26,024	23,461	21,360
2100	Lbf.	10,818	9,372	8,276	7,404	6,702	6,119	5,586	5,036	4,585
	N	48,119	41,689	36,816	32,936	29,813	27,221	24,848	22,401	20,395

Twin Disc, Incorporated reminds users of these products that their safe operation depends on use in compliance with engineering information provided in our catalog. Users are also reminded that safe operation depends on proper installation, operation and routine maintenance and inspection under prevailing conditions. It is the responsibility of users (and not Twin Disc, Incorporated) to provide and install guards or safety devices which may be required by recognized safety standards or by the Occupational Safety and Health Act of 1970 and its subsequent provisions.

United States of America • Australia • Belgium • Canada • China • India • Italy • Singapore • Switzerland

For nearly a century, we've been putting horsepower to work by designing, engineering and manufacturing rugged-duty industrial products. Our products and our reputation are bolted to the most renowned engine manufacturers and equipment OEMs in the world. Our mission is to make your machines and vehicles more productive, more durable, more operator-friendly, more cost-effective. From design and installation consultation through after-sale support, Twin Disc and its distributors are committed to your business. No one knows more about managing horsepower in more ways than Twin Disc.

**TRANSMISSIONS • CLUTCHES • PTOS
PUMP DRIVES • TORQUE CONVERTERS
GEARBOXES • HYDRAULIC PTO PRODUCTS**



Twin Disc, Incorporated
 Racine, Wisconsin 53403 USA
 Phone +1-262-638-4000
 Fax +1-262-638-4482
 www.twindisc.com

TD-Bulletin-HP500
 © 2018, Twin Disc, Incorporated
 Printed in the USA - 1/2018