

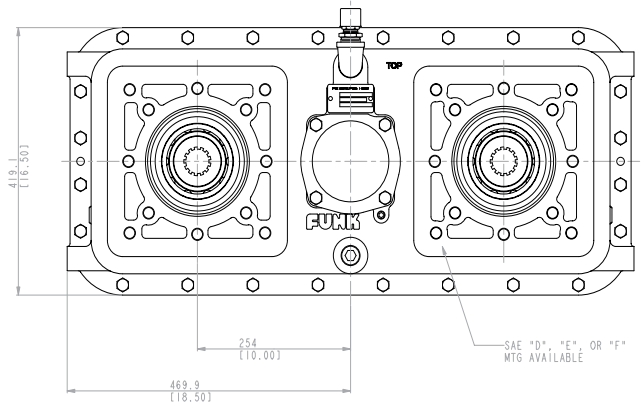
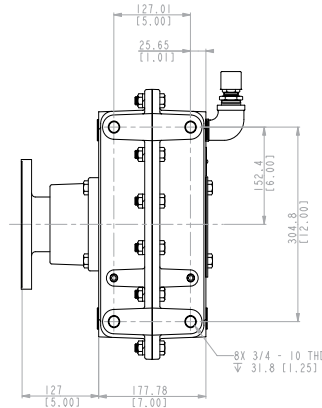
Funk™ Series 56000

56000 Four Pump Drive

Industrial Drivetrain Specifications



Dimensions



Ratings

Max input power	708 kw (950 hp)
Max output power (per pump pad)	708 kw (950 hp)
Max input torque	2712 Nm (2000 lb-ft)
Max output torque	2712 Nm (2000 lb-ft)
Max input/output speed	2500 rpm

Gear ratios

56000 four				
.76:1	.875:1	1:1	1.14:1	1.31:1

General data

Type	Four
Gear centers	
Approximate dry weight	218 kg (480 lb)
Pump rotation	Anti-enginewise, except through shaft-drive, enginewise
Flywheel covers	SAE 0, 1, or 2
Nominal clutch size	
Oil capacity	
Oil type	JDM J20C specification MIL-L-2015C or API classification GL-5

Features and benefits

Perfect fit

- With more than 5,000 pump drive configurations up to 708 kW (950 hp), we are sure to have the pump drive that meets your needs. Our application engineers provide support to help you choose the best pump drive for your application.

Fast service

- Whether you need a new pump drive or service support on an existing drive, our modular assembly system and experienced regional distribution network lets us get you what you need fast.

High quality

- We use the latest manufacturing technology to ensure we deliver the highest quality products for you.

Integration support

- Getting the most out of your equipment depends on close integration between all components. Our application experts can help integrate your entire system from the engine to the pump drives, powershift transmissions, HMD transmissions, planetary drives, and inboard planetary axles.

John Deere Power Systems

3801 W. Ridgeway Ave.
PO Box 5100
Waterloo, IA 50704-5100
Phone: 800.553.6446
Fax: 319.292.5075

Photographs may show non-standard equipment.

Specifications and design subject to change without notice. Ratings may vary depending on application and service. Application and installation are subject to review by John Deere.