

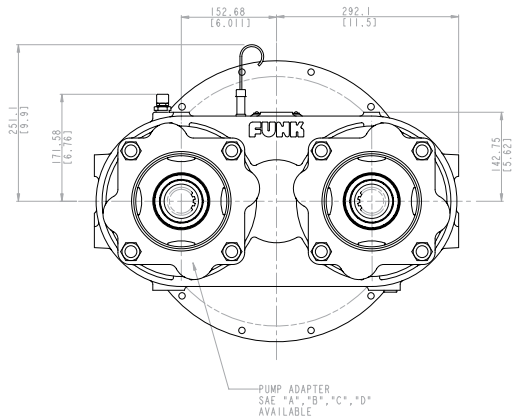
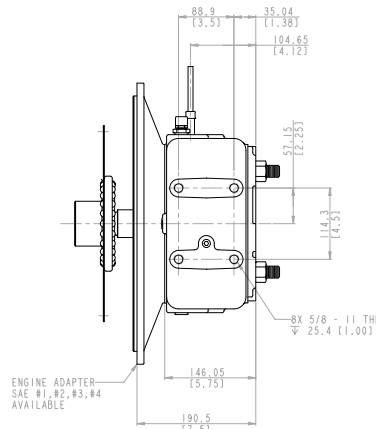
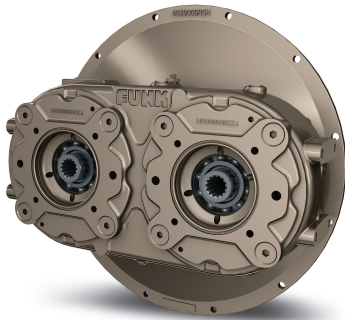
# Funk™ Series 28000

## 28000 Double Pump Drive

Industrial Drivetrain Specifications



### Dimensions



### Ratings

|                                 |                             |
|---------------------------------|-----------------------------|
| Max input power                 | 268 kw (360 hp)             |
| Max output power (per pump pad) | 242 kw (325 hp)             |
| Max input torque                | 881-1017 Nm (650-750 lb-ft) |
| Max output torque               | 780-881 Nm (575-650 lb-ft)  |
| Max input/output speed          | 3000 rpm                    |

### Gear ratios

#### 28000 single and double - 5 in (127 mm)

|        |       |       |     |        |        |         |
|--------|-------|-------|-----|--------|--------|---------|
| .628:1 | .71:1 | .89:1 | 1:1 | 1.12:1 | 1.41:1 | 1.592:1 |
|--------|-------|-------|-----|--------|--------|---------|

#### 28000 tripe and double - 6 in (152 mm)

|        |        |               |        |        |               |     |
|--------|--------|---------------|--------|--------|---------------|-----|
| .647:1 | .714:1 | <b>.787:1</b> | .826:1 | .867:1 | <b>.909:1</b> | 1:1 |
| 1.10:1 | 1.27:1 | 1.40:1        |        |        |               |     |

***Bold italicized text indicates common Series 28000 options.***

### Features and benefits

#### Perfect fit

- With more than 5,000 pump drive configurations up to 708 kW (950 hp), we are sure to have the pump drive that meets your needs. Our application engineers provide support to help you choose the best pump drive for your application.

#### Fast service

- Whether you need a new pump drive or service support on an existing drive, our modular assembly system and experienced regional distribution network lets us get you what you need fast.

### General data

|                        |  |
|------------------------|--|
| Type                   | Double   |
| Gear centers           | 5" or 6"   |
| Approximate dry weight | 68-105 kg (150-230 lb)   |
| Pump rotation          | Anti-enginewise  |
| Flywheel covers        |  |
| Nominal clutch size    |  |
| Oil capacity           |  |
| Oil type               | JDM J20C specification<br>MIL-L-2015C or API classification GL-5 |

#### High quality

- We use the latest manufacturing technology to ensure we deliver the highest quality products for you.

#### Integration support

- Getting the most out of your equipment depends on close integration between all components. Our application experts can help integrate your entire system from the engine to the pump drives, powershift transmissions, HMD transmissions, planetary drives, and inboard planetary axles.

#### John Deere Power Systems

3801 W. Ridgeway Ave.  
PO Box 5100  
Waterloo, IA 50704-5100  
Phone: 800.553.6446  
Fax: 319.292.5075

*Photographs may show non-standard equipment.*

*Specifications and design subject to change without notice. Ratings may vary depending on application and service. Application and installation are subject to review by John Deere.*