

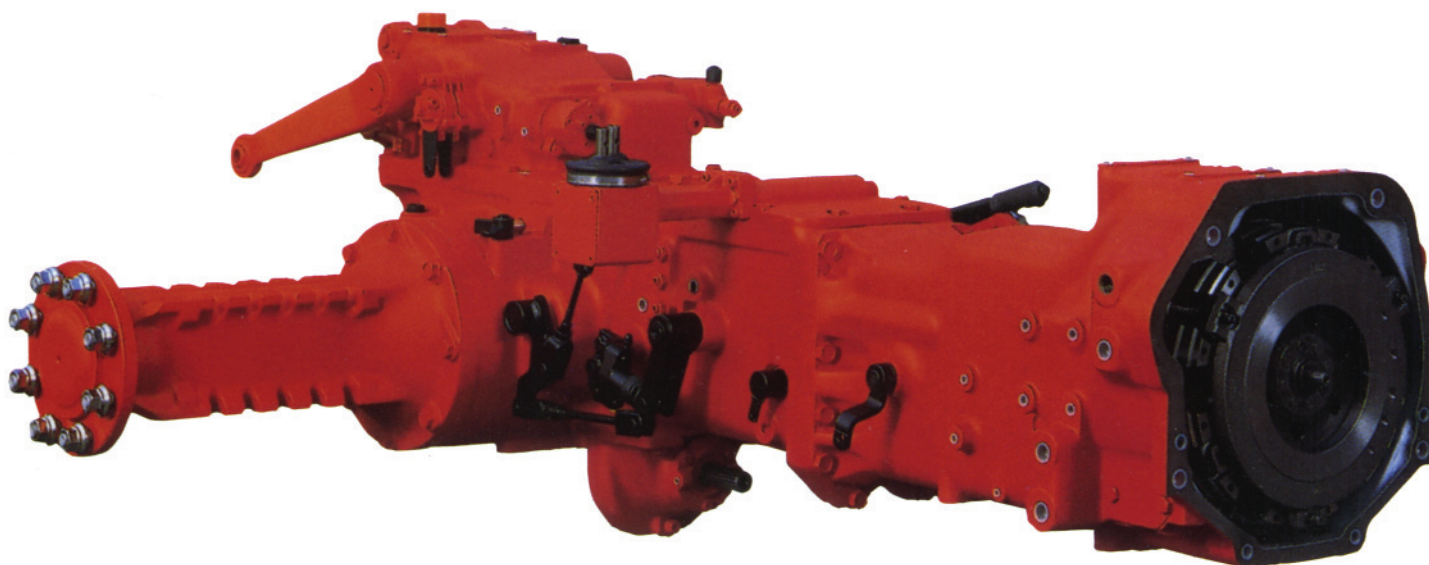
506 Agricultural transaxle

Features

- Specifically developed for Vineyard/Orchard tractors and light duty STD's for 55-85 HP power ratings.
- The 2-shaft design considerably reduces gearbox size and provides ample room in the driver area, significantly enhancing ergonomics and comfort.
- The synchronized reverser is a basic feature ensuring easy and rapid reversal when manoeuvring in narrow spaces typical of vineyards and orchards.
- The basic version complete with synchronized constant mesh gears 8 forward / 8 reverse gears ensures driving comfort and reliability, as well as significant tractor cost savings.
- The wet service brakes, situated near the differential in front of the final reduction, are designed to be virtually maintenance-free and to last as long as the tractor. The basic version control is manual/mechanical, while the hydraulic control is available as an optional on the version with suspended pedals for tractors with cabs, etc.
- The ground drive rear power take-off (GD-PTO), basic on the 12 forward / 12 reverse and 24 forward / 24 reverse gear versions, allows the attachment of a motor trailer, improving versatility and traction on slopes or muddy terrain.
- The independent rear PTO has been designed to transmit all the engine's power and is therefore ideal for Vineyard/Orchard tractors and light duty STD's which are mainly used with attachments such as sprayers, balers, rotary cultivators, etc.
- The SAE 3 clutch housing ensures connection to different makes of diesel engine and satisfies the flexibility and brand image requirements of the various manufacturers.

Options

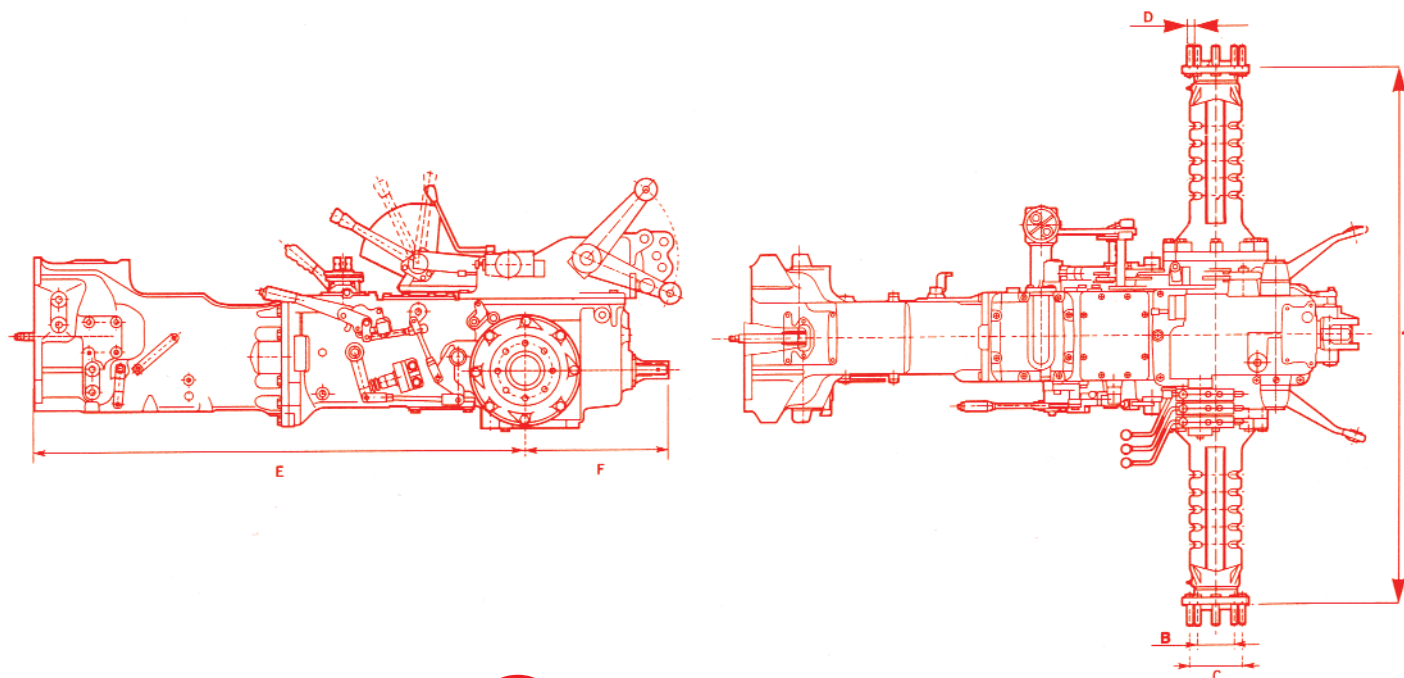
- The wide range of optionals available, such as 12 forward / 12 reverse or 24 forward / 24 reverse gears, 30 km/h or 40 km/h and creeper, are designed to satisfy the needs of state-of-the-art, high productivity tractors.
- The central position 4WD box option, designed for 4WD front axles with central differential, incorporates the patented Easy-shift system which provides shifting on-the-go and under load. Available for the 40 km/h version is a 4WD box with spring-applied hydraulic release operated by a solenoid valve electrical control, so as to obtain automatic braking on the four wheels when the brake pedals are engaged.
- The twin dry disk central clutch option completes the supply. The rear PTO clutch disk can be supplied either in the "normally closed" or "normally open" version. The latter version offers, via cam control, the same feathered engagement of the PTO achieved with an hydraulically-controlled wet multidisk clutch, with clear advantages in terms of cost and engineering simplicity.
- The 540 rpm one-speed rear PTO is offered in the basic version, while the two speed 540/540E or 540/1000, available as an optional, enhances cost-convenience and versatility.
- The clutch housing with special length and interface can be supplied on request to satisfy specific vehicle architecture requirements.
- The draft, position and mixed control hydraulic lift, together with descent speed and sensitivity control, is available as an optional. Situated at the top of the transmission, it is fully integrated in the driveline.



506 Agricultural transaxle

Model	Max input power/speed (HP/rpm)	Gross vehicle weight with max ballast (N)	Max rear tyres size	Engine interface	Main dimensions (mm)					
					A	B	C	D	E	F
506STD	72/2300	36000	16.9 R30	SAE 3 or as required	1540	109.5	152.4	n. 8 studs M18 x 1.5	1160	357
506V 506N	85/2300	34000	14.9 R28	SAE 3 or as required	890 1240	109.5	152.4	n. 8 studs M18 x 1.5	1160	357
506UP	85/2300	42500	16.9 R30	SAE 3 or as required	1540	152.2	203.2	n. 8 studs M18 x 1.5	1160	357

Options	506STD / 506UP / 506V / 506N		
Gear box version	8F / 8R	12F / 12R	24F / 24R
Speed	2.0 - 30 km/h	0.5 - 30 km/h or 1.5 - 30 km/h	0.5 - 40 km/h
Forward/reverse shifting	synchro	synchro	synchro
Splitter	NO	NO	synchro or power shift
Gear box	4 synchro speeds	4 synchro speeds	4 synchro speeds
Range	2 collar shift	3 collar shift	3 collar shift
Independent PTO rpm	540 or 540 / 540E or 540 / 1000	540 or 540 / 540E or 540 / 1000	540 or 540 / 540E or 540 / 1000
Ground drive PTO	NO	option	option
Mechanical differential lock	foot pedal operation	foot pedal operation	foot pedal operation
Service brake	wet oil mechanical or hydr. actuation	wet oil mechanical or hydr. actuation	wet oil mechanical or hydr. actuation
Parking brake	wet oil mechanical actuation	wet oil mechanical actuation	wet oil mechanical actuation
MFD box option	easy shift - mechanical actuation or SAHR	easy shift - mechanical actuation or SAHR	easy shift - mechanical actuation or SAHR
Gear shift lever location	central top cover or RH side STD/N version only	central top cover or RH side STD/N version only	central top cover or RH side STD/N version only



Information are to be considered indicative

